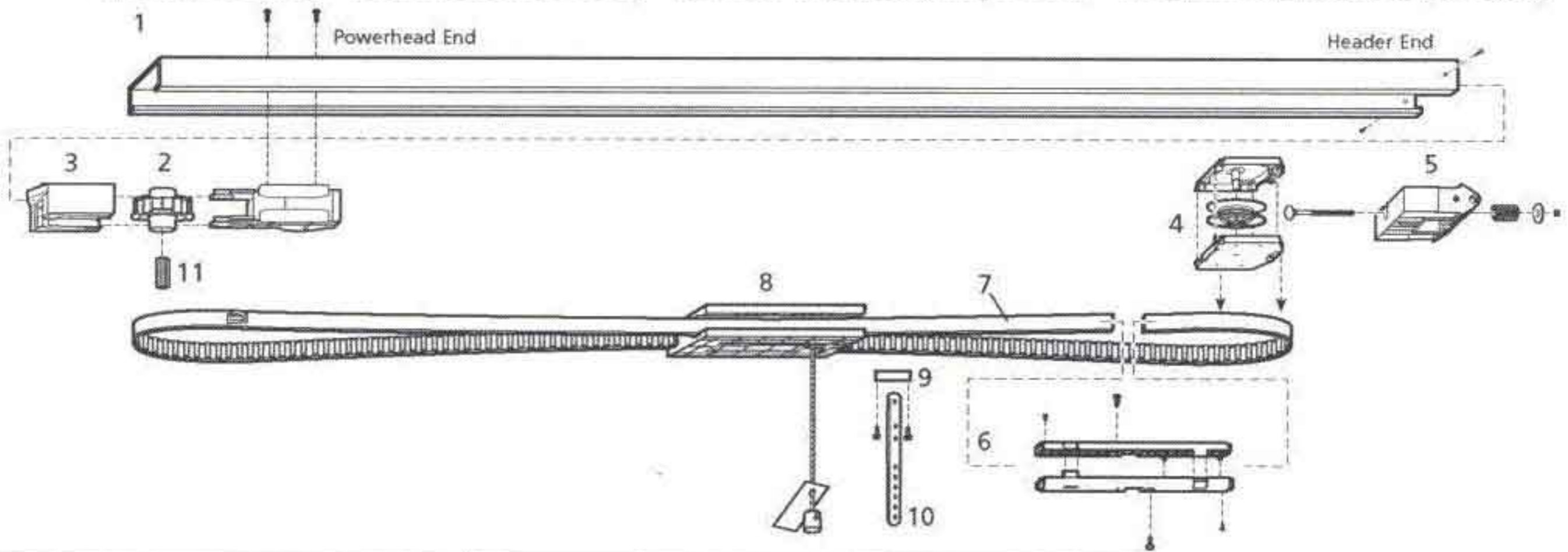


15. SYSTEM PARTS

Fig. 54

Belt Rail Assembly

Model#: ML-807 B Part#: 8030032 (7' Door) ML-808B Part #8030047 (8' Door) ML-810B Part #8030048 (10' Door)

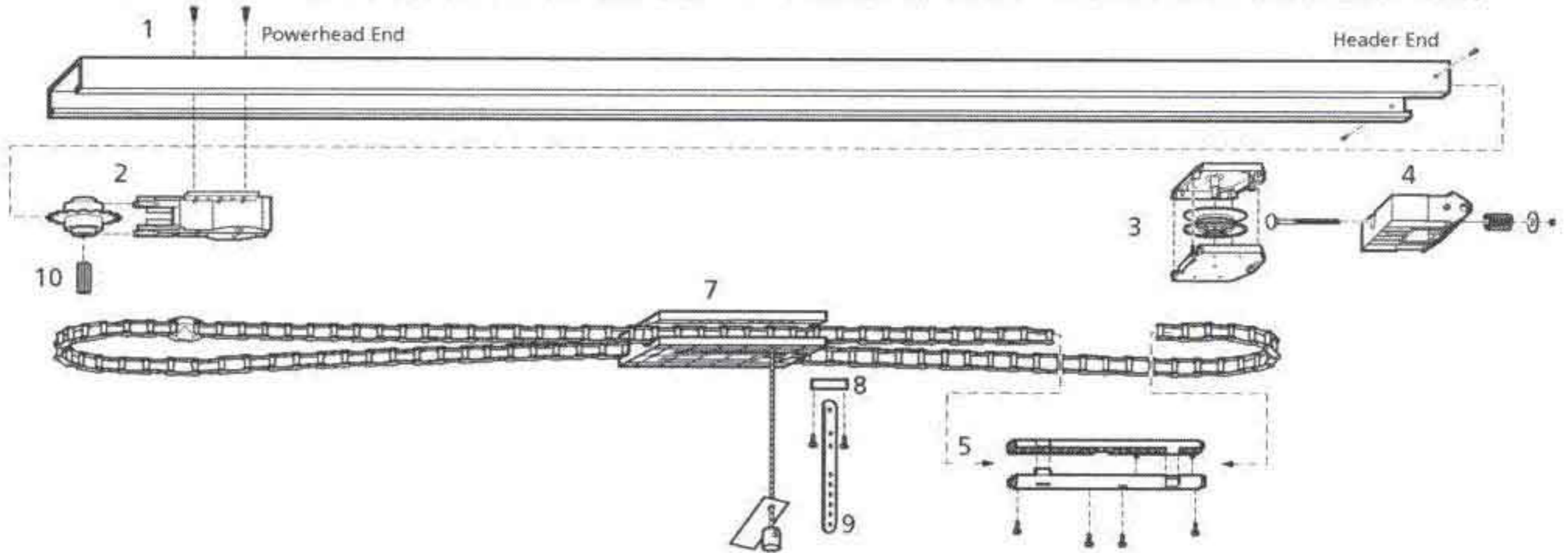


Item	Part #	Description	Item	Part #	Description
1.	—	Rail	7.	—	Belt with position tab
2.	8030337	Sprocket holder assembly	8.	8030177	Trolley assembly (7' Door)
3.	8008709	Belt guide		8030178	Trolley assembly (8' & 10' Door)
4.	8030432	Roller holder with tension bolt assembly	9.	8008708	Pin
5.	8008503	Rail end-stop	10.	8009465	Straight door arm
6.	8030196	Belt connector	11.	8007412	Shaft adapter

Fig. 55

Chain Rail Assembly

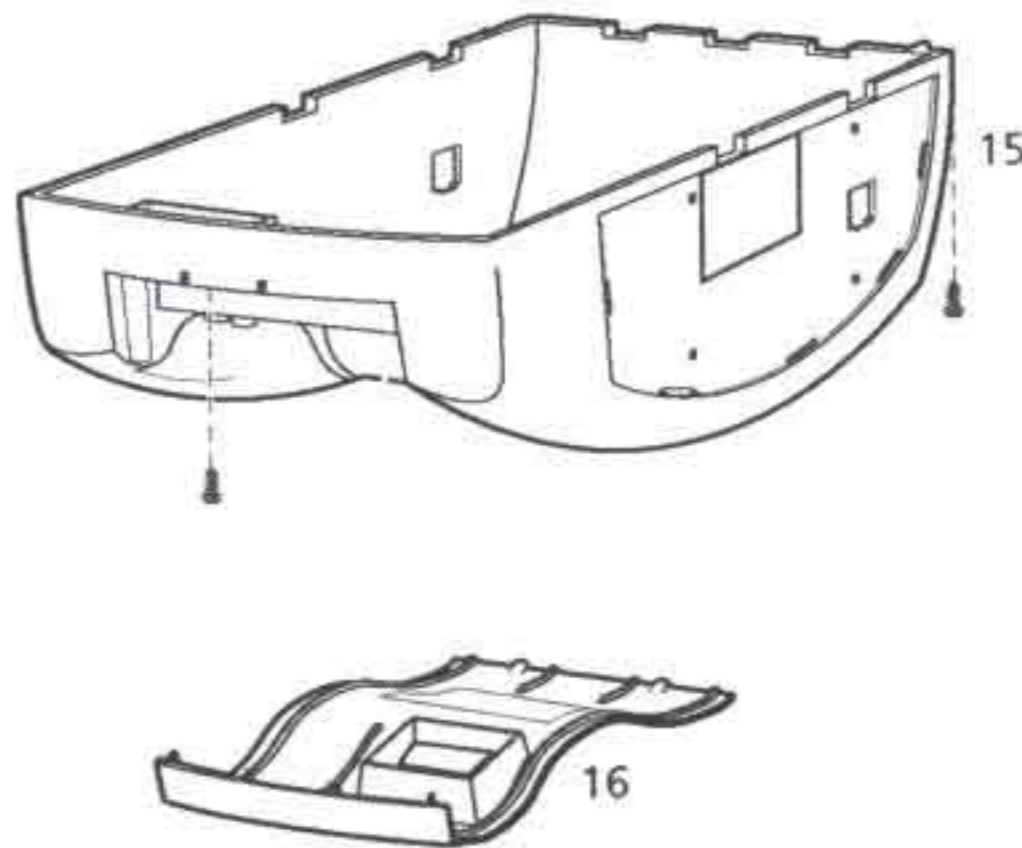
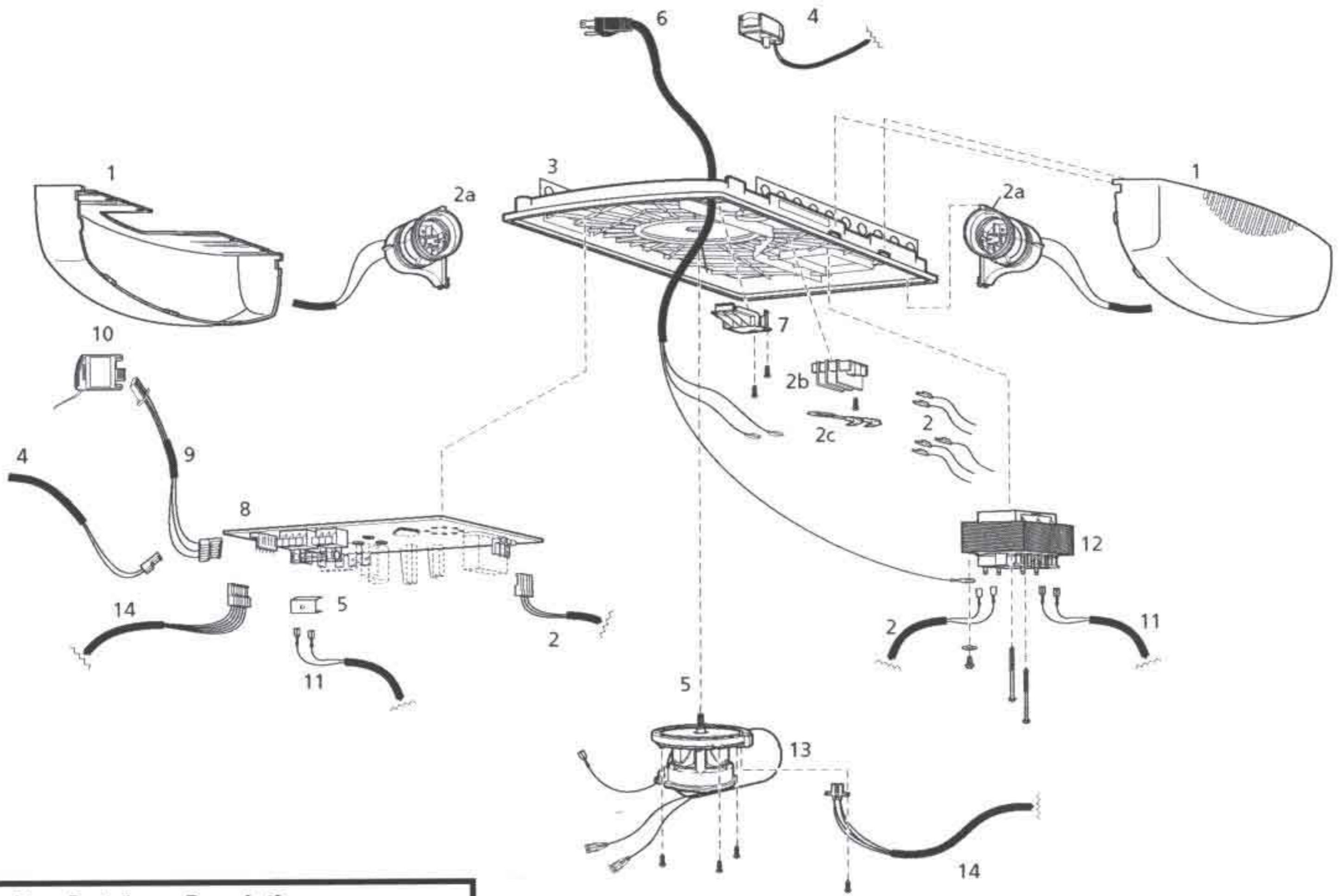
Model#: ML-807C Part#: 8030033 (7' Door) ML-808C Part #8030024 (8' Door) ML-810C Part#: 8030025 (10' Door)



Item	Part #	Description	Item	Part #	Description
1.	—	Rail	7.	8030177	Trolley assembly (7' door)
2.	8030339	Sprocket holder assembly		8030178	Trolley assembly (8' & 10' Door)
3.	8030432	Roller holder with tension bolt assembly	8.	8008708	Pin
4.	8008503	Rail end-stop	9.	8009465	Straight door arm
5.	8030234	Chain connector	10.	8007412	Shaft adapter
6.	—	Chain with position tab			

Fig. 56

BR 7000 Power Head Assembly



Item	Part #	Description
1.	8030589	Lamp Lens
2.	8030329	Wire Harness Assembly
2a.	0047269	Lampsocket w/Wire Harness
2b.	8002875	Terminal Block
2c.	8009963	Varistor
3	—	Chassis Assembly
4	8054389	Reference Switch
5	60379	Clip
6	8030612	Power Cord
7	8007776	Strain Relief Cover
8	8054216	Logic Board
9	8015077	Connector
10	62555	Modular Receiver
11	8008470	Cable (TR to LB)
12	8003273	Transformer
13	8020436	Motor Assembly
14	8055529	Sensor w/Wire Harness
15	—	Housing Assembly
16	—	Cover with Labels