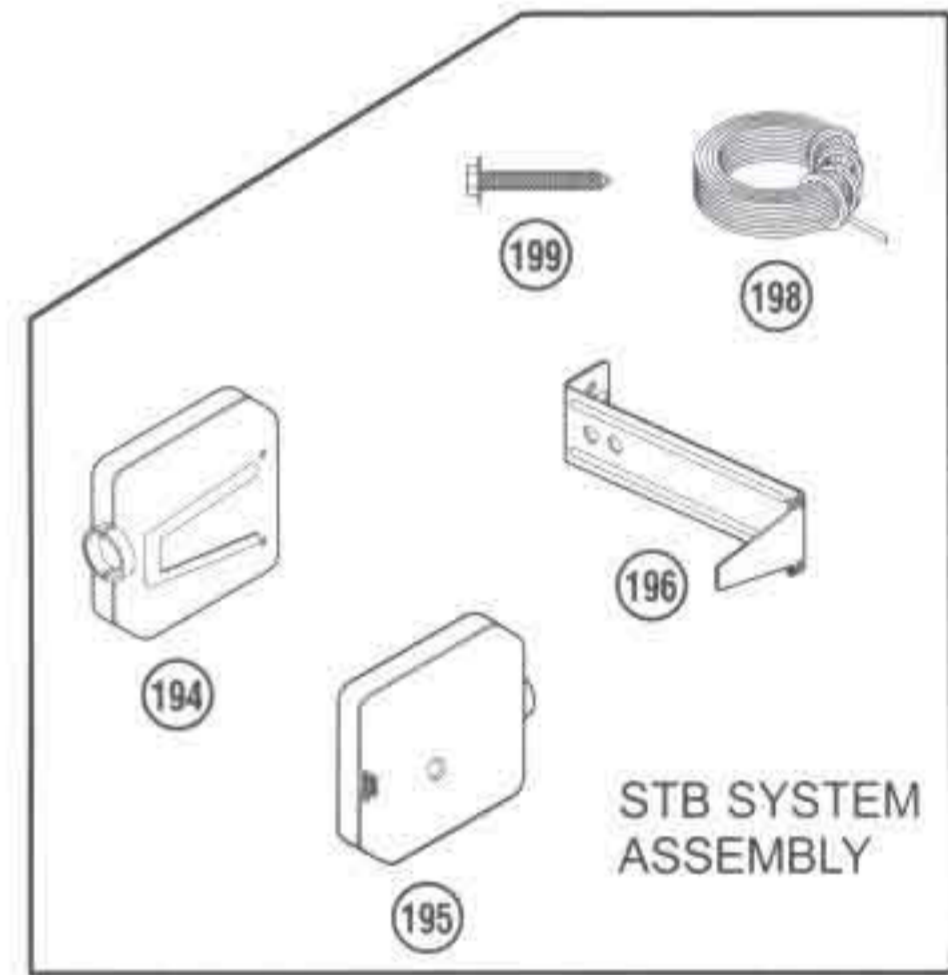
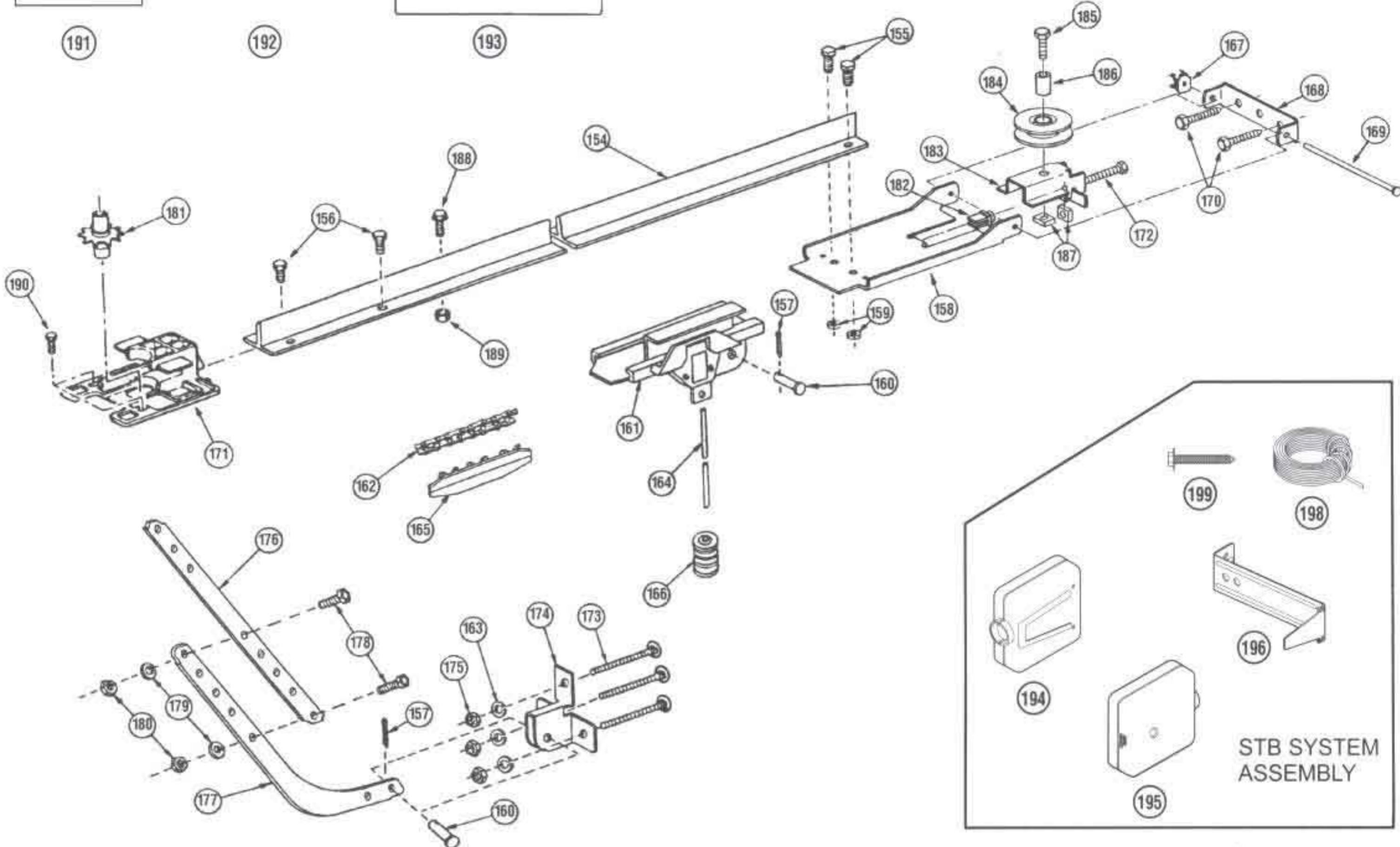


RAIL HARDWARE PARTS LIST



Item	Part Name
97	Wall Console (<i>Series II</i>)
99	Wall Button (<i>Series II</i>)
151	Screw, #6-32 x .75 Slot Fit Hd (not shown)
152	Split Lockwasher, #6 (not shown)
153	Hex Nut, #6-32 (not shown)
154	Rail (L=112.475)
155	Screw, 5/16-18 x .75 Hx Hd Int/W
156	Screw, 5/16 x .50 Hx Hd Int/W
157	Cotter Pin
158	Pulley Support
159	Hex Jam Nut, 5/16-18
160	Clevis Pin, 3/16 x .50
161	Carriage Assembly
162	Chain
163	Split Lockwasher, 1/4
164	Emergency Release Cord
165	Carriage Slide
166	Emergency Release Knob (Red)
167	Speed Nut
168	Header Bracket
169	Cold Headed Pin
170	Lag Screw, 5/16 x 2.0 Hx Hd/W
171	Sprocket Saddle

Item	Part Name
172	Screw, 5/16 -18 x 2.25 Hx Hd Mch (Adjustment)
173	Carriage Bolt, 1/4-20 x 2.0 Lag Screw, 1/4 x 2.0 Hx Hd/W
174	Door Bracket
175	Hex Nut, 1/4-20
176	Straight Door Arm
177	Curved Door Arm
178	Screw, 3/8-16 x .87 Hx Hd Mch
179	Split Lockwasher, 3/8
180	Hex Nut, 3/8-16
181	10 Tooth Sprocket
182	Bolt Retainer
183	Pulley Bracket
184	Chain Pulley
185	Screw, 5/16-18 x 1.13 Hx Hd
186	Large Pulley Bushing
187	Square Nut, 5/16-18
188	Screw, 1/4-20 x 1.0 Hx Hd
189	Hex Nut/Lockwasher 1/4-20
190	Screw, #10-24 x .50 Slot Hx Hd/W Mch
191	Safety & Maintenance Guide
192	Emergency Release Tag (Tri-L)
193	Entrapment WARNING Label

Item	Part Name
194	STB System Sensor(Green LED)
195	STB System Source(Red LED)
196	STB Mounting Brackets (2)
198	Wire
199	1.25" Phil Hex Hd
202	Insulated Staple (not shown)

