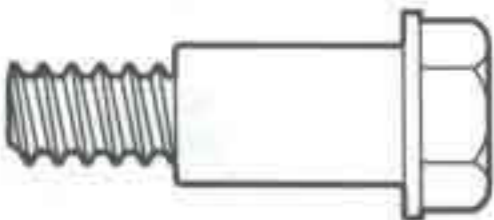
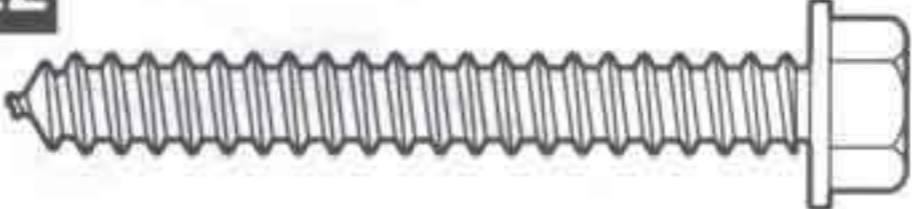


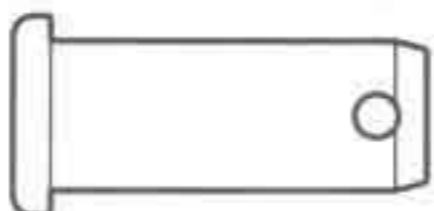



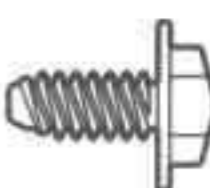
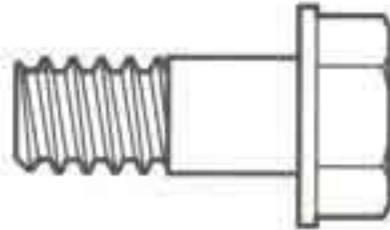
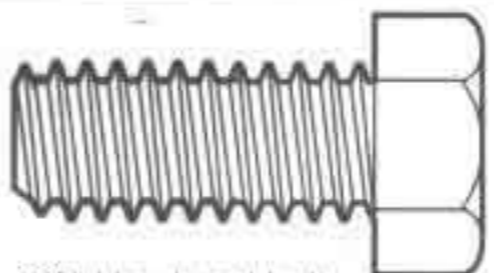
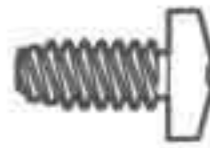

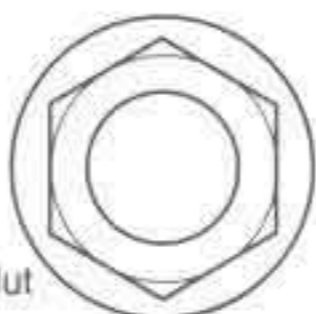
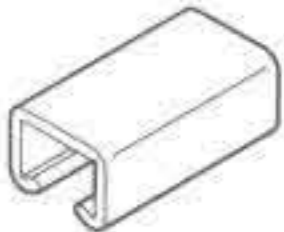

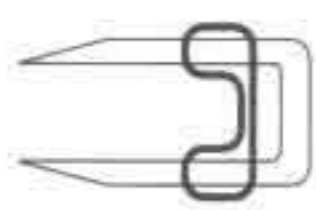
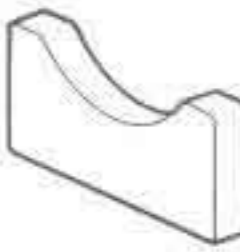


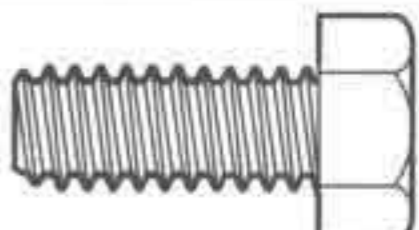
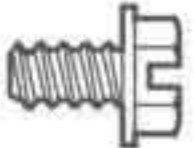
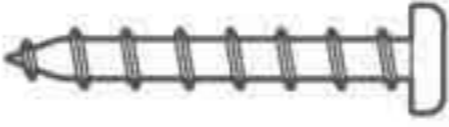
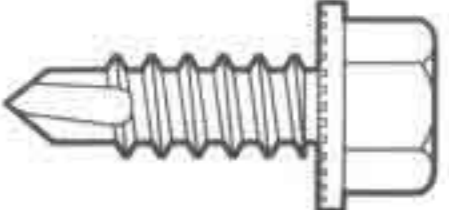


NOTE: Accessories vary by model.

FASTENERS - Shown full size. See Parts List for description.

<p>4</p>  <p>1/4" Shoulder bolt w/flange</p>	<p>22</p>  <p>1/4" x 2" Lag screw</p>	<p>39</p>  <p>Coupler</p>
<p>5</p>  <p>1/4" Flange nut</p>	<p>24</p>  <p>Clevis pin</p>	<p>40</p>  <p>#10 x 1-1/4" Phillips hex head screw</p>
<p>6</p>  <p>Carriage stop (not to scale)</p>	<p>25</p>  <p>Cotter pin</p>	<p>41</p>  <p>#8 x 3/8" Hex flange head screw</p>
<p>8</p>  <p>5/16" Shoulder bolt w/flange</p>	<p>27</p>  <p>3/8" Hex head bolt</p>	<p>42</p>  <p>#8 x 3/8" Pan head screw</p>
<p>9</p>  <p>5/16" Flange nut</p>	<p>28</p>  <p>3/8" Nut</p>	<p>44</p>  <p>Wire clip</p>
<p>11</p>  <p>Collar</p>	<p>30</p>  <p>Insulated staple</p>	<p>45</p>  <p>Rubber bumper</p>
<p>12</p>  <p>Clip</p>	<p>32</p>  <p>#4-24 x 1" Wood screw</p>	<p>46</p>  <p>5/16" x 3/4" Hex head bolt</p>
<p>16</p>  <p>#8-32 x 3/8" Hex head screw</p>	<p>34</p>  <p>#6 x 1" Pan head screw</p>	<p>47</p>  <p>1/4"-20 Self-drilling screw</p>