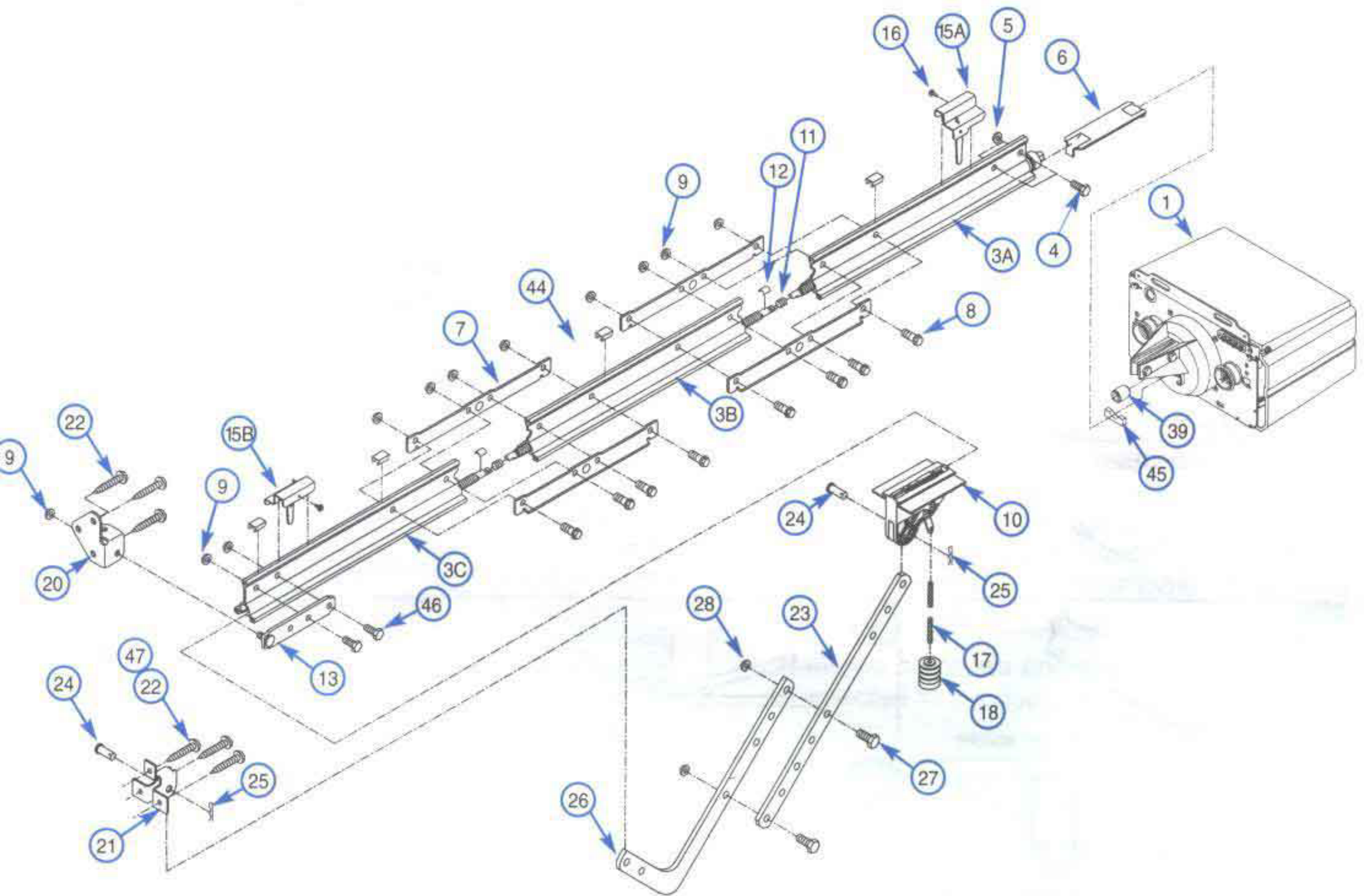


[3] 3-Piece Rail & Screw Assembly

NOTE: The operator will not function unless the **Safe-T-Beam®** system is installed and the **force controls** are properly set.



RAIL PARTS LIST

Item	Part Name	Parts Required	
		1 Piece	3-Piece
32	No. 4 x 1" Wood Screw	2	2
33	Wall Console	varies	varies
34	#6 x 1" Pan Head Screw	2	2
35	Entrapment WARNING Label	1	1
36	Safe-T-Beam (STB) System Sensor (Green LED)	1	1
37	Safe-T-Beam (STB) System Source (Red LED)	1	1
38	Safe-T-Beam (STB) System Bracket	2	2
39	Coupler	1	1
40	No. 10 x 1 1/4" Phillips Hex Head Screw	4	4
41	#8 x 3/8" Hex Head Screw	2	2
42	#8 x 3/8" Pan Head Screw	2	2
43	Safety & Maintenance Guide	1	1
44	Wire Clip	4	4
45	Bumper	1	1
46	5/16" x 3/4" Hex Head Bolt	2	2
47	1/4-20 x 3/4" Self-tapping Screw	3	3
48	Mounting Straps		2
49	Light Lens	1	1
50	Remote Control	1	1